
5

Replaceable Parts

Introduction

This chapter contains information for ordering parts. Table 5-1 lists the exchange assemblies, and Table 5-3 lists all replaceable assemblies and parts for the 5071A Primary Frequency Standard.

Exchange Assemblies

Table 5-1 lists assemblies within the 5071A that may be replaced on an exchange basis. Factory repaired and tested exchange assemblies are available only on a trade-in basis. Defective assemblies must be returned for credit. (Note that the part numbers for the new and exchange assemblies are also listed in Table 5-3.)

Table 5-1. Exchange Assemblies

Assembly	New Assembly Part No.	Exchange Assembly Part No.
A2 CBT Controller	05071-60202	05071-69202
A3 Microprocessor	05071-60003	05071-69003
A5 87 MHz PLL Module	05071-60272	05071-69272
A6 Servo	05071-60006	05071-69006
A9 Frequency Multiplier Module	05071-60292	05071-69292
A10 Output Frequency Distribution Amplifier Module	05071-60210	05071-69210
A12 Dc-Dc Power Converter Module	05071-60212	05071-69212
A18 9.2 GHz PLL Module	05071-60218	05071-69218
A19 Reference Oscillator Module	05071-60219	05071-69219

Reference Designations

Table 5-2 lists the reference designations used in the parts lists, block diagrams, and through the manual.

Replaceable Parts Table

Table 5-3 is a list of replaceable parts and is organized as follows:

Electrical assemblies in alphanumerical order by reference designation.

1. Electrical assemblies in alphanumerical order by reference designation.
2. Chassis-mounted electrical parts in alphanumerical order by reference designation.
3. Chassis-mounted mechanical parts in alphanumerical order by reference designation.

The information given for each part consists of the following:

1. Reference designation.
2. Part number.
3. Part number check digit (CD).
4. Total quantity (QTY) in instrument. The total quantity is given once and at the first appearance of the part number in the list.
5. Description of the part.
6. Typical manufacturer's part number for the part.

How To Order A Part

Agilent wants to keep your parts ordering process as simple and efficient as possible. To order parts perform the following steps:

- 1 Identify the part and the quantity you want.
- 2 Determine the ordering method to be used and contact Agilent.

Parts Identification

To identify the part(s) you want, first refer to the exploded view in Figure 5-1 at the back of this chapter or Figure 2-1 in chapter 2.

When ordering from Agilent, the important numbers to note from the Parts List are the Part Number and part-number check digit (in the “CD” column), and the quantity of the part you want.

If the part you want is NOT identified in the manual, you can call on Agilent for help (see the following section titled “Contacting Agilent”). Please have the following information at hand when you contact Agilent for help:

- Instrument Model Number (example, “5071A”).
- Complete instrument Serial Number (example, “1234A56789”). Information about where to find the serial number is given in the preface of this manual in the section titled “How to Use This Manual.”
- Description of the part and its use.
- Quantity of the part required.

Contacting Agilent

Depending on where you are in the world, there are one or more ways in which you can get parts or parts information from Agilent.

- Outside the United States, contact your local Agilent sales office.
- Within the United States, we encourage you to order replacement parts or request parts information directly by telephone or mail from the Agilent Support Materials Organization, using the telephone numbers or address listed on the next page. (You can also contact your local Agilent sales office. Agilent sales offices are listed at the back of this package.)

Replaceable Parts
Cabinet Parts and Hardware

By telephone:

- For Parts Ordering use our toll-free number, (800) 227-8164, Monday through Friday (except Holidays), 6 a.m. to 5 p.m. (Pacific Time).

If you need a part in a hurry, an extra-cost Hotline phone ordering service is available 24 hours a day. Use the toll-free number above at the times indicated; at other times, use (916) 785-8460.

- For Parts Identification Assistance, call us at (916) 783-0804. Our Parts Identification hours are from Monday through Friday, 6 a.m. to 5 p.m. (Pacific Time).

For mail correspondence, use the address below:

Agilent Technologies, Inc.
 Support Materials Roseville
 P. O. Box 1145
 Roseville, CA 95661-1145

Cabinet Parts and Hardware

To locate and identify miscellaneous cabinet and chassis parts and instrument hardware, refer to Figures 2-1 and 5-1. These figures provide different views of the instrument, with the parts identified by reference designations; the reference designations correspond with the ones in Table 5-3.

Table 5-2. Reference Designation

A = assembly	E = miscellaneous electrical part	MP = miscellaneous mechanical part	TP = test point
AT = attenuator; isolator; termination	F = fuse	P = electrical connector (movable portion); plug	U = integrated circuit; microcircuit
B = battery	FL = filter	Q = transistor; SCR; triode thyristor	V = electron tube
C = capacitor	H = hardware	R = resistor	VR = voltage regulator; breakdown diode
CP = coupler	HY = circulator	RT = thermistor	W = cable; trans-
CR = diode; diode thyristor; varactor	J = electrical (stationary portion);	S = switch	X = socket
DC = directional coupler	K = relay	T = transformer	Y = crystal unit — piezo-electric
DL = delay line	L = coil; inductor	TB = terminal board	Z = tuned cavity; tuned circuit
DS = annunciator; signaling device (audible or visual) lamp; LED	M = metre	TC = thermocouple	

Replaceable Parts
Cabinet Parts and Hardware

Table 5-3. 5071A Replaceable Parts

Reference Designation	Part Number	C D	Qty	Description	Mfr Code	Mfr Part Number
A1	05071-60001		1	MOTHERBOARD	28480	05071-60001
A1C1	0160-3879	1	1	CAPACITOR 0.01UF 100V	04222	SR205C104MAAH
A1C2	0180-4399	0	2	CAPACITOR 680UF 80V AL	55680	UPF1K681MRH
A1C3	0180-4399	0		CAPACITOR 680UF 80V AL	55680	UPF1K681MRH
A1C4	0180-4392	3	1	CAPACITOR 680UF 80V AL	55680	INTIK682MSM
A1C5	0180-3775	4	7	CAPACITOR 68UF 10V	06810	T398H686K010AS
A1C6	0180-3775	4		CAPACITOR 68UF 10V	06810	T398H686K010AS
A1C7	0180-3775	4		CAPACITOR 68UF 10V	06810	T398H686K010AS
A1C8	0180-3775	4		CAPACITOR 68UF 10V	06810	T398H686K010AS
A1C9	0180-3775	4		CAPACITOR 68UF 10V	06810	T398H686K010AS
A1C10	0180-3775	4		CAPACITOR 68UF 10V	06810	T398H686K010AS
A1C11	0180-3775	4		CAPACITOR 68UF 10V	06810	T398H686K010AS
A1C12	0180-3847	1	10	CAPACITOR 22UF 25V	06810	T398H226K025A5
A1C13	0180-3847	1		CAPACITOR 22UF 25V	06810	T398H226K025A5
A1C14	0180-3847	1		CAPACITOR 22UF 25V	06810	T398H226K025A5
A1C15	0180-3847	1		CAPACITOR 22UF 25V	06810	T398H226K025A5
A1C16	0180-3847	1		CAPACITOR 22UF 25V	06810	T398H226K025A5
A1C17	0180-3847	1		CAPACITOR 22UF 25V	06810	T398H226K025A5
A1C18	0180-3847	1		CAPACITOR 22UF 25V	06810	T398H226K025A5
A1C19	0180-3847	1		CAPACITOR 22UF 25V	06810	T398H226K025A5
A1C20	0180-3847	1		CAPACITOR 22UF 25V	06810	T398H226K025A5
A1C21	0180-3847	1		CAPACITOR 22UF 25V	06810	T398H226K025A5
A1C22	0160-0576	5	1	CAPACITOR 0.1UF 50V	04222	SR201C103MAAH
A1CR1	1884-0310	0	1	THYRSTOR, SCR	04713	MCR69-3
A1CR2	1901-1087	8	4	DIODE-POWER RECTIFIER	04713	MR856
A1CR3	1906-0343	7	1	DIODE, FW BRIDGE 100V 8A	50522	KBU88
A1CR4	1901-1087	8		DIODE-POWER RECTIFIER	04713	MR856
A1CR5	1901-1087	8		DIODE-POWER RECTIFIER	04713	MR856
A1CR6	1901-1087	8		DIODE-POWER RECTIFIER	04713	MR856
A1H1, H2	0515-0386	8	2	SCREW-MACH M5 X 0.8 10MM-LG TORX	00000	ORDER BY DESCRIPTION
A1H3	0535-0004	9	1	NUT-HEX DBL-CHAM M3 X 0.5 2.9MM THK	00000	ORDER BY DESCRIPTION
A1H4	0570-1279	6	1	STUD, STD PRESS-IN M3 X 0.5 8MM LG	00000	ORDER BY DESCRIPTION
A1H5	2190-0638	5	1	WASHER-LK INT T FOR 3MM SCREW	00000	ORDER BY DESCRIPTION
A1J1	1252-3444	8	2	CONNECTOR-UTIL 2-CONT DIP-SLDR	28480	1252-3444
A1J2	1252-4469	9	2	CONNECTOR-UTIL 8-CONT DIP-SLDR	28480	1252-0638
A1J3	1252-0638	6		CONNECTOR, POST-TYPE 10-CONT DIP-SLDR	28480	1252-0638
A1J4	1252-4469	9		CONNECTOR-UTIL 8-CONT DIP-SLDR	28480	1252-0638
A1J5	1252-3444	8		CONNECTOR-UTIL 2-CONT DIP-SLDR	28480	1252-3444
A1J6	1252-2452	6	2	CONNECTOR, POST-TYPE 8-CONT DIP-SLDR	28480	1252-2452
A1J7	1252-0638	6	6	CONNECTOR, POST-TYPE 10-CONT DIP-SLDR	28480	1252-0638
A1J8	1252-0638	6		CONNECTOR, POST-TYPE 10-CONT DIP-SLDR	28480	1252-0638
A1J9	1252-0638	6		CONNECTOR, POST-TYPE 10-CONT DIP-SLDR	28480	1252-0638
A1J710	1252-0638	6		CONNECTOR, POST-TYPE 10-CONT DIP-SLDR	28480	1252-0638

Replaceable Parts
Cabinet Parts and Hardware

Table 5-3. 5071A Replaceable Parts (Continued)

Reference Designation	Part Number	C D	Qty	Description	Mfr Code	Mfr Part Number
A1	05071-60001		1	MOTHERBOARD (Continued)	28480	05071-60001
A1J11	1252-2452	6		CONNECTOR, POST-TYPE 8-CONT DIP-SLDR	28480	1252-2452
A1J12	1252-0638	6		CONNECTOR, POST-TYPE 10-CONT DIP-SLDR	28480	1252-0638
A1J13	1252-0242	8	1	CONNECTOR-POST TYPE 34-CONT DIP-SLDR	28480	1252-0242
A1J14	1250-0257	1	6	CONNECTOR, RF SMB MALE 50-OHM	28480	1250-0257
A1J15	1250-0257	1		CONNECTOR, RF SMB MALE 50-OHM	28480	1250-0257
A1J16	1250-0257	1		CONNECTOR, RF SMB MALE 50-OHM	28480	1250-0257
A1J17	1250-0257	1		CONNECTOR, RF SMB MALE 50-OHM	28480	1250-0257
A1J18	1250-0257	1		CONNECTOR, RF SMB MALE 50-OHM	28480	1250-0257
A1J19	1250-0257	1		CONNECTOR, RF SMB MALE 50-OHM	28480	1250-0257
L1	9140-0653	6	1	INDUCTOR-FXD 83UH ±10% 6 AMP DC	28480	9140-0653
A1R1	0811-4506	0	3	RESISTOR-FXD .27 5%	91637	CW-2B-39
A1R2	0811-4506	0	3	RESISTOR-FXD .27 5%	91637	CW-2B-39
A1R3	0811-4506	0	3	RESISTOR-FXD .27 5%	91637	CW-2B-39
A1R4	0757-0442	9	4	RESISTOR 10K 1% .125W	28480	0757-0442
A1R5	0698-3430	5	1	RESISTOR 21.5 1% .12W F	28480	0698-3430
A1R6	0757-0442	9	4	RESISTOR 10K 1% .125W	28480	0757-0442
A1R7	0757-0442	9	4	RESISTOR 10K 1% .125W	28480	0757-0442
A1R8	0757-0442	9	4	RESISTOR 10K 1% .125W	28480	0757-0442
A1R9	1810-0280	8	4	NETWORK RESISTOR 10-SIP 10.0K OHM X 9	91637	MSP10A01-103G
A1R10	1810-0280	8		NETWORK RESISTOR 10 SIP 10.0K OHM X 9	91637	MSP10A01-103G
A1R11	1810-0280	8		NETWORK RESISTOR 10-SIP 10.0K OHM X 9	91637	MSP10A01-103G
A1R12	1810-0280	8		NETWORK RESISTOR 10-SIP 10.0K OHM X 9	91637	MSP10A01-103G
A1R13	0757-0346	2	1	RESISTOR 10 1% .125W	28480	0757-0346
A1TP1 - TP4	1251-0600	0	4	CONN-SGL CONT PIN 1.14 MM BSC-SZ-SQ	28480	1251-0600
A1VR1	1902-1416	9	1	DIODE-ZNR 51V 5%	04713	SZ30035-3
A1XA2P1	1251-7796	9	2	CONNECTOR, POST-TYPE 96 CONT DIP-SLDR	28480	1251-7796
A1XA2P2	1251-8414	0	12	CONNECTOR, POST-TYPE 48-CONT DIP-SLDR	28480	1251-8414
A1XA3P1	1251-7796	9	2	CONNECTOR, POST-TYPE 96 CONT DIP-SLDR	28480	1251-7796
A1XA3P2	1251-8414	0	12	CONNECTOR, POST-TYPE 48-CONT DIP-SLDR	28480	1251-8414
A1XA4P1	1251-8414	0	12	CONNECTOR, POST-TYPE 48-CONT DIP-SLDR	28480	1251-8414
A1XA4P2	1251-8414	0	12	CONNECTOR, POST-TYPE 48-CONT DIP-SLDR	28480	1251-8414
A1XA6P1	1251-8414	0	12	CONNECTOR, POST-TYPE 48-CONT DIP-SLDR	28480	1251-8414
A1XA6P2	1251-8414	0	12	CONNECTOR, POST-TYPE 48-CONT DIP-SLDR	28480	1251-8414
A1XA7P2	1251-8414	0	12	CONNECTOR, POST-TYPE 48-CONT DIP-SLDR	28480	1251-8414
A1XA8P2	1251-8414	0	12	CONNECTOR, POST-TYPE 48-CONT DIP-SLDR	28480	1251-8414
A1XOPT2	1251-8414	0	12	CONNECTOR, POST-TYPE 48-CONT DIP-SLDR	28480	1251-8414
A1XA7P1	1251-8414	0	12	CONNECTOR, POST-TYPE 48-CONT DIP-SLDR	28480	1251-8414
A1XA8P1	1251-8414	0	12	CONNECTOR, POST-TYPE 48-CONT DIP-SLDR	28480	1251-8414
A1XOPT1	1251-8414	0	12	CONNECTOR, POST-TYPE 48-CONT DIP-SLDR	28480	1251-8414

Replaceable Parts
Cabinet Parts and Hardware

Table 5-3. 5071A Replaceable Parts (Continued)

Reference Designation	Part Number	C D	Qty	Description	Mfr Code	Mfr Part Number
EXCHANGE ASSEMBLIES						
A2	05071-60202	9	1	CBT CONTROLLER	28480	05071-60202
	05071-69202	9	1	CBT CONTROLLER (RESTORED)	28480	05071-69202
A3	05071-60003	0	1	MICROPROCESSOR	28480	05071-60003
	05071-69003	8	1	MICROPROCESSOR (RESTORED)	28480	05071-69003
A5	05071-60272	5	1	87 MHz PLL MODULE	28480	05071-60272
	05071-69272	3	1	87 MHz PLL MODULE (RESTORED)	28480	05071-69272
A6	05071-60006	3	1	SERVO	28480	05071-60006
	05071-69006	1	1	SERVO (RESTORED)	28480	05071-69006
A9	05071-60292	9	1	FREQUENCY MULTIPLIER MODULE	28480	05071-60292
	05071-69292	7	1	FREQ MULTIPLIER MODULE (RESTORED)	28480	05071-69292
A10	05071-60210	1	1	OUTPUT FREQUENCY DISTRIBUTION AMPLIFIER MODULE	28480	05071-60210
	05071-69210	9	1	OUTPUT FREQ DISTRIB AMP (RESTORED)	28480	05071-69210
A12	05071-60212	3	1	DC-DC POWER CONVERTER MODULE	28480	05071-60212
	05071-69212	1	1	DC-DC POWER CONVERTER MODULE (RESTORED)	28480	05071-69212
A18	05071-60218	9	1	9.2 GHz PLL MODULE	28480	05071-60218
	05071-69218	7	1	9.2 GHz PLL MODULE (RESTORED)	28480	05071-69218
A19	05071-60219	0	1	REFERENCE OSCILLATOR MODULE	28480	05071-60219
	05071-69219	8	1	REFERENCE OSC MODULE (RESTORED)	28480	05071-69219
ELECTRICAL ASSEMBLIES						
A1	05071-60001	8	1	MOTHERBOARD	28480	05071-60001
A4	05071-60004	1	1	DIGITAL SYNTHESIZER	28480	05071-60004
A7	05071-60007	4	1	INTERFACE	28480	05071-60007
A8	05071-60008	5	1	1 PPS	28480	05071-60008
A11	05071-60029	0	1	POWER STEERING LOGIC, Std	28480	05071-60029
A11	05071-60033	0	1	POWER STEERING LOGIC, Opt 048	28480	05071-60033
A13	05071-60013	2	1	FRONT PANEL PC BOARD	28480	05071-60013
A13	05071-60213	4	1	FRONT PANEL MODULE	28480	05071-60213
A14	05071-60214	5	1	SIGNAL AMPLIFIER MODULE	28480	05071-60214
A15	05071-60215	6	1	9.2 GHz MICROWAVE GENERATOR MODULE	28480	05071-60215
A16	05071-60216	7	1	HIGH VOLTAGE SUPPLY MODULE	28480	05071-60216
A17	10890A	5	1	CESIUM BEAM TUBE, STANDARD	28480	10890A
A17 (OPT 001)	10891A	6	1	CESIUM BEAM TUBE, HIGH PERFORMANCE	28480	108091A
B1	1420-0514	4	2	BATTERY 12V 2.5 AH LEAD ACID	28480	1420-0514
LF1	05071-60259	8	1	LINE FILTER/CABLE ASSEMBLY	28480	05071-60259
T1	9100-4962	4	1	TOROIDAL POWER TRANSFORMER	28480	9100-4962

Replaceable Parts
Cabinet Parts and Hardware

Table 5-3. 5071A Replaceable Parts (Continued)

Reference Designation	Part Number	C D	Qty	Description	Mfr Code	Mfr Part Number
CHASSIS PARTS						
F1	2110-0304	4	1	FUSE 1.5 A 250 V IN LF1 LINE FILTER ASSY	28480	2110-0304
F1	2110-0360	2	1	FUSE 0.75 A S-BLO IN LF1 LINE FILTER ASSY	28480	2110-0360
F2	2110-0838	9	1	FUSE 5 A 125 V EXTERNAL DC POWER FUSE	28480	2110-0838
A6F1	2110-0671	8	1	FUSE 0.125 A MIN-AX	28480	2110-0671
A6F2	2110-0671	8	1	FUSE 0.125 A MIN-AX	28480	2110-0671
A6F3	2110-0671	8	1	FUSE 0.125 A MIN-AX	28480	2110-0671
A6F4	2110-0671	8	1	FUSE 0.125 A MIN-AX	28480	2110-0671
A6F5	2110-0671	8	1	FUSE 0.125 A MIN-AX	28480	2110-0671
A11F1	2110-0699	0	1	FUSE 5.0 A MIN-AX	28480	2110-0669
H1	0380-3021	7	2	STANDOFF-HEX 0.51N	00000	ORDER BY DESCRIPTION
H2	0515-0372	2	17	SCREW-MACH M3X0.5 8MM LG TORX	00000	ORDER BY DESCRIPTION
H3				NOT ASSIGNED		
H4	0515-0383	5	13	SCREW-MACH M4X0.7 16 MM LG TORX	00000	ORDER BY DESCRIPTION
H5	0515-0386	8	6	SCREW-MACH M5X0.8 10MM LG TORX	00000	ORDER BY DESCRIPTION
H6	0515-0390	4	6	SCREW-MACH M4X0.7 6MM LG TORX	00000	ORDER BY DESCRIPTION
H7				NOT ASSIGNED		
H8	0515-0433	6	9	SCREW-MACH M4.0X0.7 8MM-LG TORX	00000	ORDER BY DESCRIPTION
H9	0515-0447	2	4	SCREW-MACH M3.5X.6 10MM-LG TORX	00000	ORDER BY DESCRIPTION
H10	0515-0458	5	32	SCREW-MACH M3.5X.6 8MM LG TORX	00000	ORDER BY DESCRIPTION
H11	0515-0664	5	4	SCREW-MACH M3.0X.5 12MM LG TORX	00000	ORDER BY DESCRIPTION
H12	0515-1031	2	7	SCREW MACH M3X0.5 6MM-LG TORX	00000	ORDER BY DESCRIPTION
H13	0515-1034	5	9	SCREW-MACH M4X0.7 16MM-LG TORX	00000	ORDER BY DESCRIPTION
H14	0515-1035	6	33	SCREW-MACH M3.0X0.5 8MM-LG TORX	00000	ORDER BY DESCRIPTION
H15				NOT ASSIGNED		
H16	0515-1228	9	3	SCREW-MACH M4X0.7 6MM LG TORX	00000	ORDER BY DESCRIPTION
H17	0515-1269	0	38	SCREW-MACH M4X0.7 10MM-LG FL HEAD	00000	ORDER BY DESCRIPTION
H18	0535-0042	5	3	NUT-M3X0.5 SS LOCKING	00000	ORDER BY DESCRIPTION
H19	0535-0082	3	2	NUT M4X0.7 EXT-TOOTH LOCKWASHER	00000	ORDER BY DESCRIPTION
H20	0535-0136	8	4	NUT M3X0.6 W/LOCKWASHER	00000	ORDER BY DESCRIPTION
H21	0590-1251	6	6	NUT SPC 15/32-32	00000	ORDER BY DESCRIPTION
H22	1520-0094	7	3	SHOCK MOUNT	28480	1520-0094
H23				NOT ASSIGNED		
H24	2190-0859	2	1	WASHER-FL METALLIC	00000	ORDER BY DESCRIPTION
H25	2220-0020	4	3	SCREW-MACH 4-40	00000	ORDER BY DESCRIPTION
H26	2950-0220	3	1	NUT-HEX 1/4-20 THD, LOCKING	00000	ORDER BY DESCRIPTION
H27	3050-0222	8	3	WASHER-FLAT #4	00000	ORDER BY DESCRIPTION
H28	0535-0005	0	2	NUT-HEX M5X0.8 5MM THK (R panel ground lug)	00000	ORDER BY DESCRIPTION
H29	2190-0587	3	1	WASHER-LK HLCL 5.0-5.1MM-ID (R pnl grnd lug)	00000	ORDER BY DESCRIPTION
J1	1251-0126	5	1	CONNECTOR-CIRC 5-COND F RCPT	28480	1251-0126
MP1	05071-00001	2	1	CHASSIS-MAIN	28480	05071-00001
MP2	05071-00002	3	1	OSCILLATOR MOUNT ASSY	28480	05071-00002
MP3	05071-00003	4	1	OSCILLATOR MOUNT, LEFT	28480	05071-00003
MP4	05071-00021	6	1	COVER, TOP	28480	05071-00021
MP5	05071-00024	9	2	TUBE MOUNT STRAP	28480	05071-00024

Replaceable Parts
Cabinet Parts and Hardware

Table 5-3. 5071A Replaceable Parts (Continued)

Reference Designation	Part Number	C D	Qty	Description	Mfr Code	Mfr Part Number
CHASSIS PARTS						
MP6	05071-00025	0	1	TUBE MOUNT, BOTTOM	28480	05071-00025
MP7	05071-00026	1	1	NUT PLATE, EXT DC	28480	05071-00026
MP8	05071-00027	2	1	BRACKET, HIGH-VOLTAGE HOLD DOWN	28480	05071-00027
MP9	05071-00028	3	1	COVER, BOTTOM	28480	05071-00028
MP10	05071-00030	7	1	HOLD-DOWN, RF MOUNT	28480	05071-00030
MP11	05071-00034	1	1	MAG SHIELD MULT	28480	05071-00034
MP12	05071-00035	2	1	MAG SHIELD 87 MHz	28480	05071-00035
MP13	05071-00037	4	2	COVER, SIDE, PERFORATED	28480	05071-00037
MP14	05071-00041	0	2	TUBE MOUNT BRACKET	28480	05071-00041
MP15	05071-00043	2	1	SHIELD, TOP	28480	05071-00043
MP16	05071-20213	0	2	TUBE MOUNT SADDLE	28480	05071-20213
MP17	05071-20214	1	1	TUBE MOUNT BACK	28480	05071-20214
MP18	05071-20215	2	1	TUBE MOUNT FRONT	28480	05071-20215
MP19	05071-20218	5	1	GUIDE, 108XX	28480	05071-20218
MP20	5001-0539	9	2	TRIM-SIDE FRONT (PLASTIC, SELF-STICK)	28480	5001-0539
MP21	5021-8403	4	1	FRAME, FRONT	28480	5021-8403
MP22	5040-6968	2	1	COVER, FRONT (PROTECTIVE SHIPPING)	28480	5040-6968
MP23	5041-8801	8	2	FOOT	28480	5041-8801
MP24	5041-8802	9	1	TOP TRIM, SNAP-IN PLASTIC	28480	5041-8802
MP25	5041-8821	2	4	STANDOFF-REAR	28480	5041-8821
MP26	5041-8822	3	2	FOOT, NON-SKID	28480	5041-8822
MP27	5062-3989	7	1	RACK KIT - FRONT HANDLE	28480	5062-3989
MP28	6960-0002	4	1	PLUG HOLE 0.5-IN DIAMETER	28480	6960-0002
MP29	6960-0006	8	1	PLUG-HOLE 0.25-IN DIAMETER	28480	6960-0006
MP30	05071-00052	3	1	REAR BATTERY DOOR	28480	05071-00052
MP31	05071-60275	8	1	LSC DISPLAY	28480	05071-60275
W1	05071-60255	4	1	CABLE ASSY, EXTERNAL DC	28480	05071-60255
W2	05071-60256	5	1	CABLE ASSY, EXT DC FS	28480	05071-60256
W3	05071-60257	6	1	CABLE ASSY, SIGNAL STEERING	28480	05071-60257
W4	05071-60253	2	1	CABLE ASSY, POWER STEERING	28480	05071-60253
W5	05071-60226	9	2	CABLE ASSY, BATTERY	28480	05071-60226
W6	05071-60258	7	1	CABLE ASSY, RS232/ERR NOT ASSIGNED	28480	05071-60258
W7						
W8	05071-60221	4	1	CABLE ASSY, REAR PPS NOT ASSIGNED	28480	05071-60221
W9						
W10	05071-60222	5	1	CABLE ASSY, FRONT PPS	28480	05071-60222
W11				NOT ASSIGNED		
W12				NOT ASSIGNED		
W13	05071-60232	7	1	CABLE ASSY, 80 MHZ OP	28480	05071-60232
W14	05071-60230	5	1	CABLE ASSY, 80 MHZ 1PPS	28480	05071-60230
W15	05071-60235	1	1	CABLE ASSY, MLT 80-87	28480	05071-60235

Replaceable Parts
Cabinet Parts and Hardware

Table 5-3. 5071A Replaceable Parts (Continued)

Reference Designation	Part Number	C D	Qty	Description	Mfr Code	Mfr Part Number
CHASSIS PARTS						
W16	05071-60234	9	1	CABLE ASSY, 87 MHZ REFERENCE	28480	05071-60234
W17	05071-60236	1	1	CABLE ASSY, 87 MHZ DFS	28480	05071-60236
W18	05071-60243	0	1	CABLE ASSY, MICROWAVE MODULE	28480	05071-60243
W19	05071-60242	9	1	CABLE ASSY, MICROWAVE TV	28480	05071-60242
W20	05071-60229	2	1	CABLE ASSY, MICROWAVE IF	28480	05071-60229
W21	05071-60228	1	1	CABLE ASSY, MICROWAVE 320	28480	05071-60228
W22				NOT ASSIGNED		
W23	05071-60240	7	1	CABLE ASSY, 108XX EFC	28480	05071-60240
W24	05071-60241	8	1	CABLE ASSY, 108XX RF	28480	05071-60241
W25	05071-60251	0	1	CABLE ASSY, SIGNAL AMPLIFIER	28480	05071-60251
W26	05071-60271	4	1	CABLE ASSY, CBT RF INI	28480	05071-60271
W27	05071-60231	6	1	CABLE ASSY, FRONT PANEL	28480	05071-60231
W28	05071-60266	7	2	CABLE ASSY, GROUND WIRE	28480	05071-60266

Replaceable Parts
Cabinet Parts and Hardware

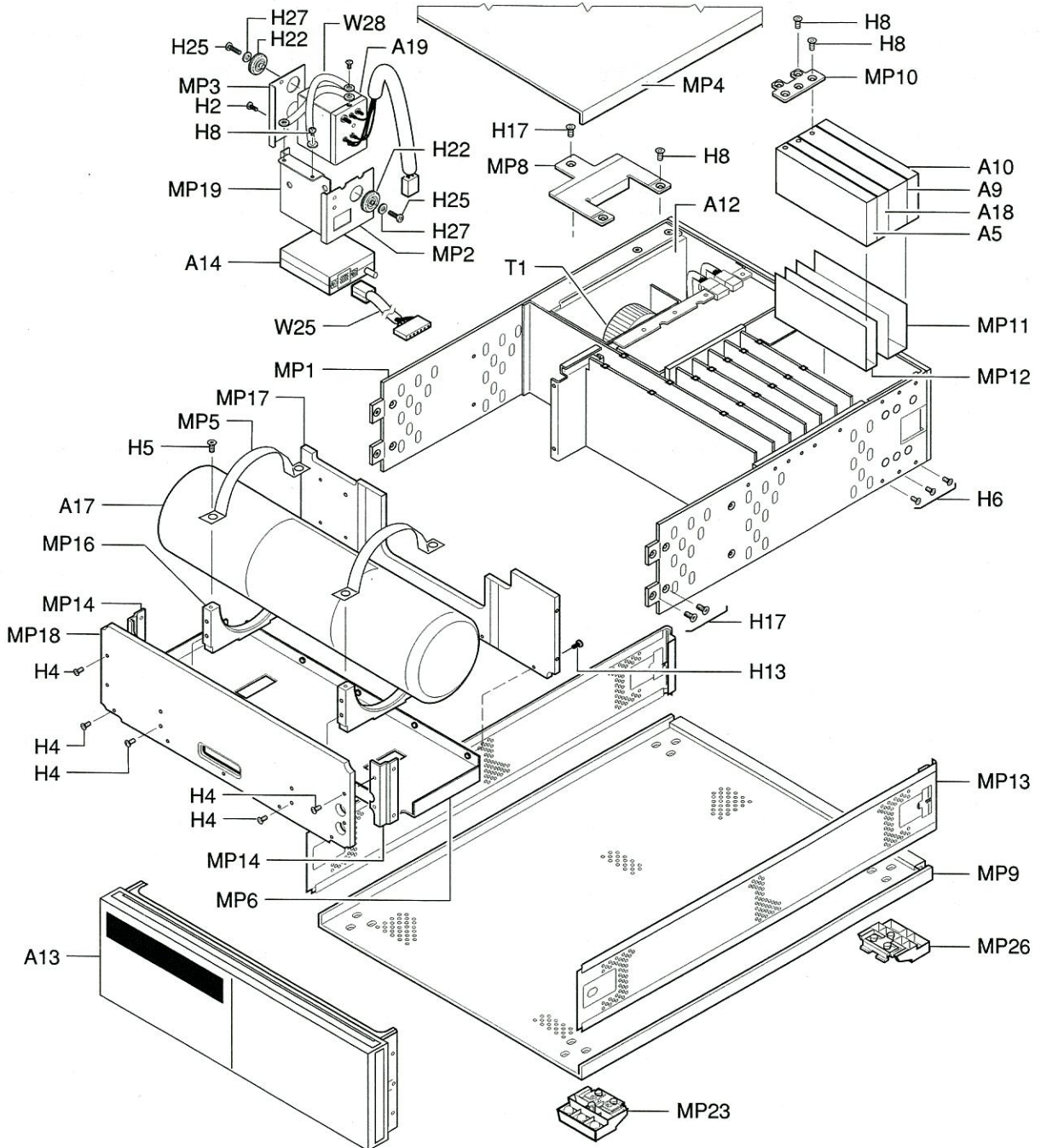


Figure 5-1. 5071A Exploded View (Chassis Parts)