

N2792A and N2793A Differential Probes

User Guide

Notices

© Keysight Technologies 2009-2014, 2015, 2018

No part of this manual may be reproduced in any form or by any means (including electronic storage and retrieval or translation into a foreign language) without prior agreement and written consent from Keysight Technologies as governed by United States and international copyright laws.

Manual Part Number

N2792-97005, December 2018

Available in electronic format only

Published by:

Keysight Technologies, Inc.

1900 Garden of the Gods Road

Colorado Springs, CO 80907 USA

Warranty

THE MATERIAL CONTAINED IN THIS DOCUMENT IS PROVIDED "AS IS," AND IS SUBJECT TO BEING CHANGED, WITHOUT NOTICE, IN FUTURE EDITIONS. FURTHER, TO THE MAXIMUM EXTENT PERMITTED BY APPLICABLE LAW, KEYSIGHT DISCLAIMS ALL WARRANTIES, EITHER EXPRESS OR IMPLIED WITH REGARD TO THIS MANUAL AND ANY INFORMATION CONTAINED HEREIN, INCLUDING BUT NOT LIMITED TO THE IMPLIED WARRANTIES OF MERCHANTABILITY AND FITNESS FOR A PARTICULAR PURPOSE. KEYSIGHT SHALL NOT BE LIABLE FOR ERRORS OR FOR INCIDENTAL OR CONSEQUENTIAL DAMAGES IN CONNECTION WITH THE FURNISHING, USE, OR PERFORMANCE OF THIS DOCUMENT OR ANY INFORMATION CONTAINED HEREIN. SHOULD KEYSIGHT AND THE USER HAVE A SEPARATE WRITTEN AGREEMENT WITH WARRANTY TERMS COVERING THE MATERIAL IN THIS DOCUMENT THAT CONFLICT WITH THESE

TERMS, THE WARRANTY TERMS IN THE SEPARATE AGREEMENT WILL CONTROL.

U.S. Government Rights

The Software is "commercial computer software," as defined by Federal Acquisition Regulation ("FAR") 2.101. Pursuant to FAR 12.212 and 27.405-3 and Department of Defense FAR Supplement ("DFARS") 227.7202, the U.S. government acquires commercial computer software under the same terms by which the software is customarily provided to the public. Accordingly, Keysight provides the Software to U.S. government customers under its standard commercial license, which is embodied in its End User License Agreement (EULA), a copy of which can be found at <http://www.keysight.com/find/sweula>. The license set forth in the EULA represents the exclusive authority by which the U.S. government may use, modify, distribute, or disclose the Software. The EULA and the license set forth therein, does not require or permit, among other things, that Keysight: (1) Furnish technical information related to commercial computer software or commercial computer software documentation that is not customarily provided to the public; or (2) Relinquish to, or otherwise provide, the government rights in excess of these rights customarily provided to the public to use, modify, reproduce, release, perform, display, or disclose commercial computer software or commercial computer software documentation. No additional government requirements beyond those set forth in the EULA shall apply, except to the extent that those terms, rights, or licenses are explicitly required from all providers of commercial computer software pursuant to the FAR and the DFARS and are set forth specifically in writing elsewhere in the EULA. Keysight shall be under no obligation to update, revise or otherwise modify the Software. With respect to any technical data as

defined by FAR 2.101, pursuant to FAR 12.211 and 27.404.2 and DFARS 227.7102, the U.S. government acquires no greater than Limited Rights as defined in FAR 27.401 or DFAR 227.7103-5 (c), as applicable in any technical data. 52.227-14 (June 1987) or DFAR 252.227-7015 (b)(2) (November 1995), as applicable in any technical data.

Safety Notices

CAUTION

A CAUTION notice denotes a hazard. It calls attention to an operating procedure, practice, or the like that, if not correctly performed or adhered to, could result in damage to the product or loss of important data. Do not proceed beyond a CAUTION notice until the indicated conditions are fully understood and met.

WARNING

A WARNING notice denotes a hazard. It calls attention to an operating procedure, practice, or the like that, if not correctly performed or adhered to, could result in personal injury or death. Do not proceed beyond a WARNING notice until the indicated conditions are fully understood and met.

Contents

Introduction	5
Oscilloscope Compatibility	5
Handling the Probe	6
Cleaning the Probe	6
Inspecting the Probe	6
Accessories	7
N2792A	7
N2793A	9
Using the N2792A Probe	11
Hook and Alligator Clips	12
Extreme Temperature Probing Kit	12
Using the N2793A Probe	15
Single, Dual, and Variable Pitch Signal Pins	17
Extension Leads	17
Micro IC Clips and Pincer Clips	18
DC Blocking Capacitor	18
Safety Information	19
Specifications and Characteristics	21
Performance Plots (N2792A Probe)	24
Performance Plots (N2793A Probe)	28
N2792A Performance Verification Procedures	32
Procedure	32
N2792A Performance Verification Test Record	34
N2793A Performance Verification Procedures	35
Procedure	35
N2793A Performance Verification Test Record	38
Offset Zero Calibration Procedure	39

Index

Keysight N2792A and N2793A Differential Probes

User Guide

Introduction

The N2792A 200 MHz and N2793A 800 MHz differential probes provide the superior high-speed differential signal probing required by today's high-speed power measurements, automotive bus measurements, and high-speed digital system designs. The N2792A and N2793A probes offer a 10:1 attenuation ratio, allowing them to be used for a broad range of applications. These differential probes have an input resistance of $1\text{ M}\Omega$ (N2792A) and $200\text{ k}\Omega$ (N2793A) and both feature low input capacitance to minimize circuit loading (7 pF for N2792A and 2 pF for N2793A). The N2792A and N2793A probes are compatible with any oscilloscope equipped with 50Ω BNC inputs. They can be powered by any USB port on your oscilloscope or computer, or by an internal battery (one 9V battery included with each probe).

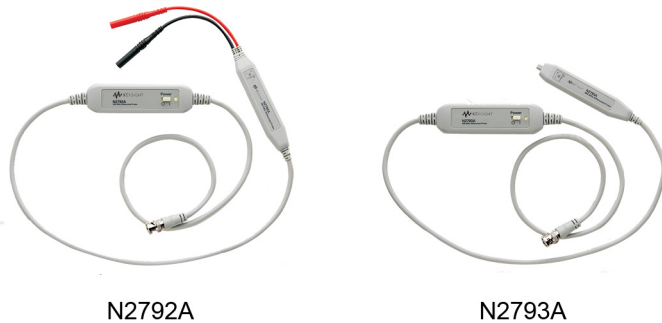


Figure 1 Probes (Accessories Not Shown)

Oscilloscope Compatibility

To be compatible with the N2792A and N2793A probes, the oscilloscope must have a 50Ω input and be ground referenced.

Handling the Probe

Handle the probe with care and refer to the safety notices in this manual. Note that the probe cable and the extreme temperature extension cable are sensitive parts and, therefore, you should be careful not to damage them through excessive bending or pulling. You should also avoid any mechanical shocks to this product in order to guarantee accurate performance and protection.

Cleaning the Probe

Disconnect the probe from the oscilloscope and clean the probe with a soft cloth dampened with a mild soap and water solution. Make sure that the probe is completely dry before reconnecting it to an oscilloscope.

Inspecting the Probe

- Inspect the shipping container for damage.
Keep the damaged shipping container or cushioning material until the contents of the shipment have been checked for completeness and the probe has been checked mechanically and electrically.
- Check the accessories.
If the contents are incomplete or damaged, notify your Keysight Technologies Sales Office.
- Inspect the probe.
If there is mechanical damage or defect, or if the probe does not operate properly or pass calibration tests, notify the Sales Office.

If the shipping container is damaged, or the cushioning materials show signs of stress, notify the carrier as well as the Sales Office. Keep the shipping materials for the carrier's inspection. The sales office will arrange for repair or replacement at Keysight Technologies' option without waiting for claim settlement.

Accessories

N2792A

Supplied Accessories

Table 1 lists the accessories included with the N2792A probes. Replacements can be ordered with the N2792-68700 replacement kit. The quantity of each accessory in the kit is the same as listed in the table and originally provided with the probe. The battery is not included in the kit.



Figure 2 N2792A Supplied Accessories

Table 1 N2792A Accessories

Accessory	Qty Supplied
Hook Clip (red)	1
Hook Clip (black)	1
Alligator Clip (red)	1
Alligator Clip (black)	1
USB Power Cord (2m)	1
9V Battery	1
Trimmer tool	1

Optional Accessories

For extreme temperature probing, you can order the N7013/14A extreme temperature probing kit separately. This extreme temperature probing kit is not compatible with the N2793A probes. The quantity for each accessory in the kit is the same as listed in [Table 2](#).

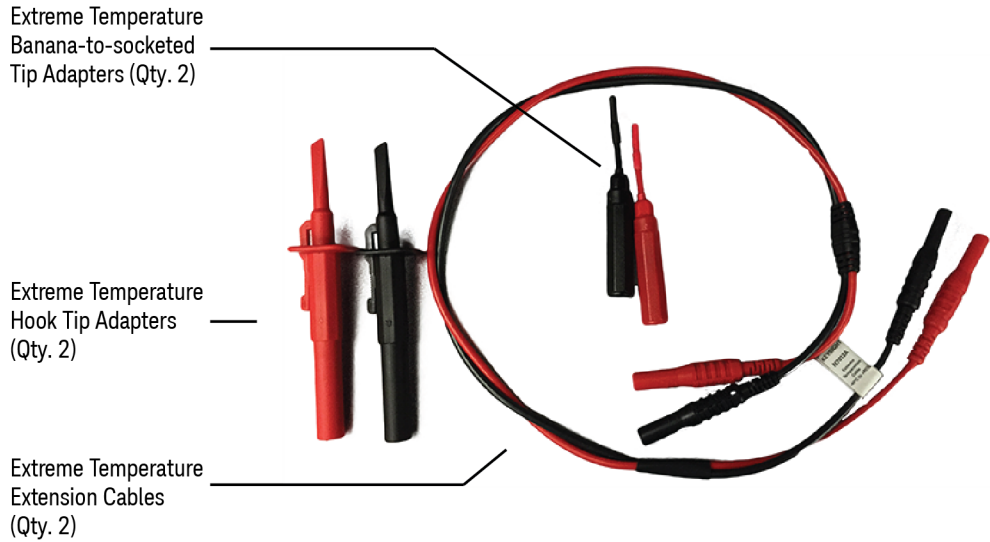


Figure 3 N2792A Optional Accessories (Extreme Temperature Probing Kit)

Table 2 N2792A Optional Accessories

Accessory	Qty
Extreme Temperature Hook Tip Adapters (Black)	1
Extreme Temperature Hook Tip Adapters (Red)	1
Extreme Temperature Differential Extension Cables (Black)	1
Extreme Temperature Differential Extension Cables (Red)	1
Extreme Temperature Banana-to-Socketed Tip Adapters for connecting to 0.025" square pins (Black)	1
Extreme Temperature Banana-to-Socketed Tip Adapters for connecting to 0.025" square pins (Red)	1

N2793A

Table 3 lists the accessories included with the N2793A probes. Replacements can be ordered with the N2793-68700 replacement kit. The quantity of each accessory in the kit is the same as listed in the table and originally provided with the probe. The battery is not included in the kit.



Figure 4 N2793A Supplied Accessories

Table 3 N2793A Accessories

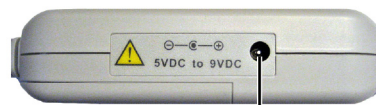
Accessory	Qty Supplied
Pincer Clip (red)	1
Pincer Clip (black)	1
Micro IC Clip (red)	1
Micro IC Clip (black)	1
Extension Lead, 0.8 mm J-P, 5 cm (red)	1
Extension Lead, 0.8 mm J-P, 5 cm (black)	1
Extension Lead, 0.8 mm J-P, 10 cm (red)	1
Extension Lead, 0.8 mm J-P, 10 cm (black)	1
Dual Signal Pin, 12.8 mm	2
Dual Signal Pin, 16.8 mm	2
Single Signal Pin, 0.8 mm	6
Variable Pitch Signal Pin	2
DC Blocking Capacitor	2
USB Power Cord (2m)	1
9V Battery	1
Trimmer Tool	1
Replacement accessories	
N2792-68700	Differential probe accessory kit for N2818A/N2792A (including 2 each clip hook, 2 each alligator clip, and USB power cord)
N2793-68700	Differential probe accessory kit for N2819A/N2793A (including 2 each pincer clip, 2 each micro IC clip, 2 each extension lead 0.8 mm J-P 5 cm, 2 each extension lead 0.8 mm J-P 10 cm, 2 dual signal pins 16.8 mm, 2 dual signal pins 12.8 mm, 2 variable pitch spacing adapters, 2 DC blocking capacitors, 6 single signal pins 0.8 mm, USB power cord)
N4853A	Variable pitch browser for N2793A/N2819A, qty 2
N4854A	DC blocking caps for N2793A/N2819A, qty 2

Using the N2792A Probe

Before using the probe, you must either install the supplied 9V battery or plug in the supplied USB power cord. The USB power cord can be connected either to the USB port on a computer or the oscilloscope. To install the battery, slide open the battery compartment located on the back side of the probe housing.



Battery Location



USB Power Cord Input

Figure 5 Location of Battery Compartment and USB Power Input

The probe's BNC output connector connects to the channel input of the oscilloscope. The oscilloscope must have a 50Ω input and be ground referenced.

WARNING

Must be Grounded. Before making connections to the input leads of this probe, ensure that the output BNC connector is attached to the BNC channel input of the oscilloscope and the oscilloscope is properly grounded.

CAUTION

To protect against electrical shock, use only the accessories supplied with this probe or in the accessory kit.

CAUTION

This probe is to carry out differential measurements between two points on the circuit under test. This probe is not for electrically insulating the circuit under test and the measuring instrument.

NOTE

When battery life has expired, remove the battery. Observe the WEEE label on the battery and dispose of properly.

Hook and Alligator Clips

Before you can use the N2792A probe, gently push the supplied hook clips or alligator clips onto the probe leads as shown in **Figure 6**. Use the hook clips to clamp onto smaller components and the alligator clips to clamp onto thicker gauge devices.

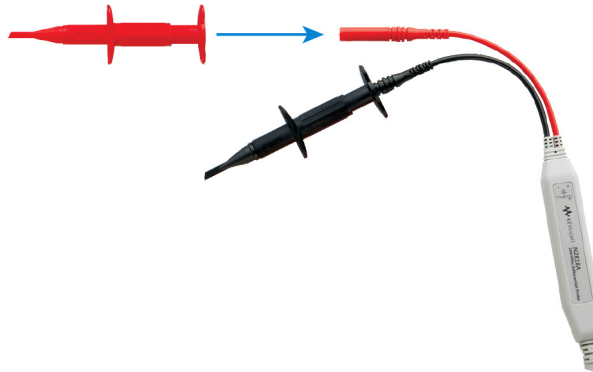


Figure 6 Inserting the Supplied Clips

Extreme Temperature Probing Kit

For extreme temperature probing, you can connect the N7013/14A extreme temperature probing kit with the probe.

NOTE

The N7013/14A extreme temperature probing kit is not supplied with the probe. You can order this kit separately.

The N7013A extreme temperature probing kit includes:

- One pair of extreme temperature differential extension cables (black and red)
- One pair of extreme temperature hook tip adapters (black and red)
- One pair of extreme temperature banana-to-socketed tip adapters for connecting to 0.025" square pins (black and red)

The N7014A extreme temperature probing kit includes:

- One pair of extreme temperature banana-to-socketed tip adapters for connecting to 0.025" square pins (black and red)

CAUTION

Only the extension cables and the tip adapters provided with the cables are rated to extreme temperatures. The differential probe, original cables, and original accessories should not be exposed to extreme temperatures. When probing with the extension cables the bandwidth performance will be reduced, see [Table 5](#) on page 22.

Perform the following steps to connect the N7013/14A extreme temperature kit to the N2792A probe:

- 1 Connect the red and black extreme temperature differential extension cables to the existing probe cables.

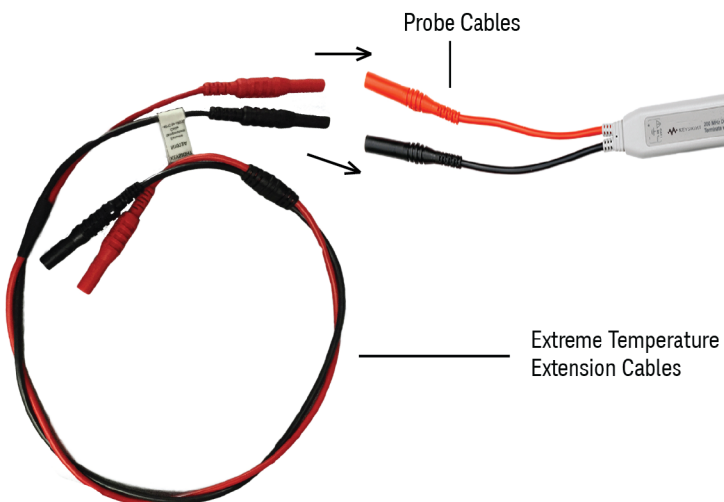


Figure 7 Connecting the Extreme Temperature Differential Extension Cables

- 2 Connect the red and black extreme temperature hook tip adapters to the extreme temperature differential extension cables which are already connected to the existing probe cables.

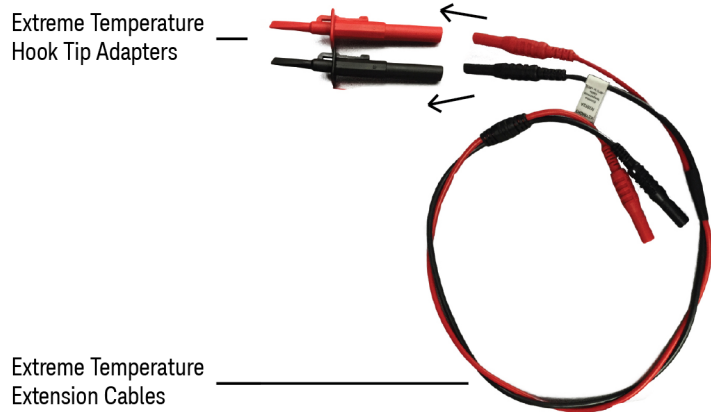


Figure 8 Connecting the Extreme Temperature Hook Tip Adapters

Or,

Connect the red and black extreme temperature banana-to-socketed tip adapters to the extreme temperature differential extension cables which are already connected to the existing probe cables.

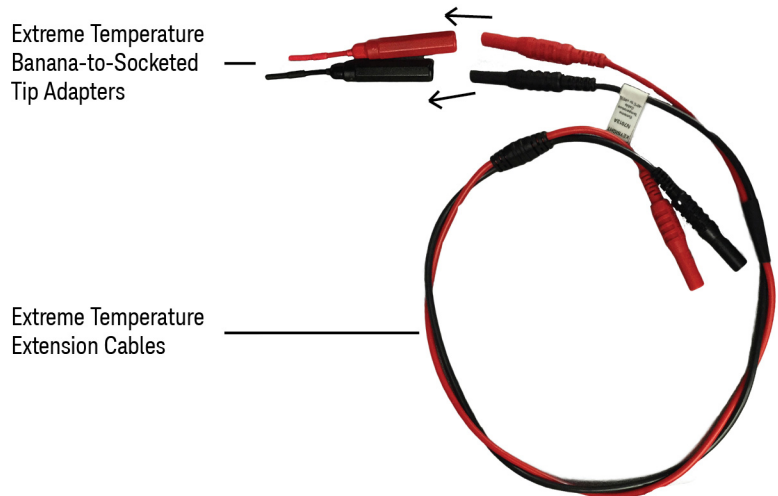


Figure 9 Connecting the Extreme Temperature Banana-to-Socketed Tip Adapters

Using the N2793A Probe

Before using the probe, you must either install the supplied 9V battery or plug in the supplied USB power cord. The USB power cord can be connected either to the USB port on a computer or the oscilloscope. To install the battery, slide open the battery compartment located on the back side of the probe housing.



Battery Location



USB Power Cord Input

Figure 10 Location of Battery Compartment and USB Power Input

The probe's BNC output connector connects to the channel input of the oscilloscope. The oscilloscope must have a 50Ω input and be ground referenced.

WARNING

Must be Grounded. Before making connections to the input leads of this probe, ensure that the output BNC connector is attached to the BNC channel input of the oscilloscope and the oscilloscope is properly grounded.

CAUTION

To protect against electrical shock, use only the accessories supplied with this probe or in the accessory kit.

CAUTION

This probe is to carry out differential measurements between two points on the circuit under test. This probe is not for electrically insulating the circuit under test and the measuring instrument.

NOTE

When battery life has expired, remove the battery. Observe the WEEE label on the battery and dispose of properly.

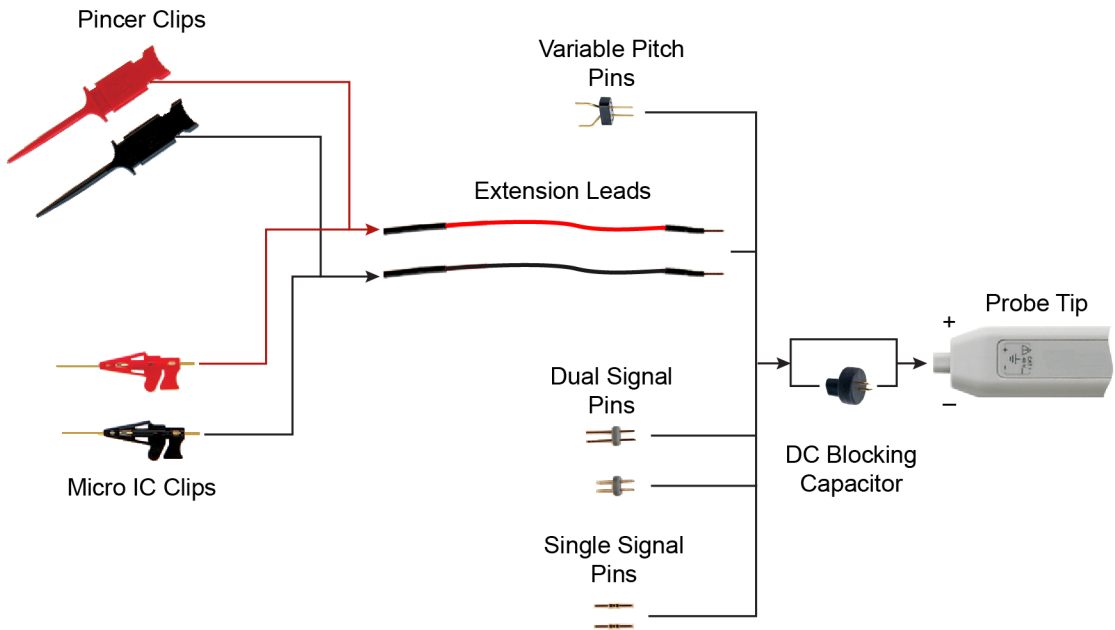


Figure 11 Probe Tip Accessory Connection Options

Single, Dual, and Variable Pitch Signal Pins

Insert the single or dual signal pins into the probe tip as shown in **Figure 12**. Directly probing with either one of these pins results in the best possible signal integrity when compared to the other probing accessories. The variable pitch spacing adapter allows you to easily probe two adjacent IC leads or test points. **Figure 13** shows the variable pitch pins inserted into the probe tip.

Two Single Signal Pins

One Dual Signal Pin



Figure 12 Signal Pins Inserted into the Probe Tip



Figure 13 Variable Pitch Pins Inserted into the Probe Tip

Extension Leads

If the length of the signal pins is not adequate for your measurement setup or if you need to use the pincer or micro IC clips, the extension leads can be placed over the pins as shown below. The probe comes with both 5 cm and 10 cm long extensions leads.

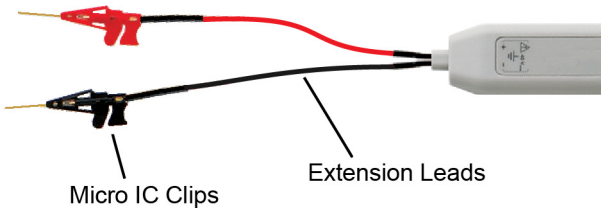


Figure 14 Extension Leads on Probe

Micro IC Clips and Pincer Clips

Use the micro IC and pincer clips to probe miniature IC and components. These clips attach to the end of the extension leads. Squeeze the lever on the micro IC clips to extend the grasping jaws. Push the back of the pincer clips to extend their connectors.

DC Blocking Capacitor

Use the DC blocking capacitor to block out unwanted DC components on the input signal.



Figure 15 DC Blocking Capacitor Inserted into the Probe Tip

Safety Information

WARNING

To avoid personal injury and to prevent fire or damage to this product or products connected to it, review and comply with the following safety precautions. Be aware that if you use this probe assembly in a manner not specified, the protection this product provides may be impaired.

WARNING

Observe Maximum Working Voltage. To avoid injury, do not use the N2792A probe above 60V between each input lead and earth or between the two input leads and do not use the N2793A probe above 40V between each input lead and earth or between the two input leads.

WARNING

These probes are for use only on circuits that are NOT directly connected to mains. These are NOT intended for measurements on CAT II, CAT III, or CAT IV circuits.

WARNING

Must be Grounded. Before making connections to the input leads of this probe, ensure that the output BNC connector is attached to the BNC channel input of the oscilloscope and the oscilloscope is properly grounded.

WARNING

Do Not Operate Without Covers. To avoid electrical shock or fire hazard, do not operate this probe with the covers removed.

WARNING

Do Not Operate in Wet / Damp Conditions. To avoid electrical shock, do not operate this probe in wet or damp conditions.

WARNING

Do Not Operate in an Explosive Atmosphere. To avoid injury or fire hazard, do not operate this probe in an explosive atmosphere.

WARNING

Avoid Exposed Circuit. To avoid injury, remove jewelry such as rings, watches, and other metallic objects. Do not touch exposed connections and components when power is present.

WARNING

Use Proper Power Source. To ensure this probe functions well, use one 9V battery or the supplied USB power cord.

WARNING

For Indoor Use Only.

CAUTION

The probe cable and the extreme temperature extension cables are sensitive parts and, therefore, you should be careful not to damage them through excessive bending or pulling. Avoid any mechanical shocks to this product in order to guarantee accurate performance and protection.

CAUTION

Periodically inspect the probe and probe wires to check for any damage. Do Not Operate With Visible or Suspected Failures. If you suspect there is damage, have it inspected by a Keysight authorized service personnel.

Specifications and Characteristics

The probe and oscilloscope should be warmed up for at least 20 minutes before any testing and the environmental conditions should not exceed the probe's specified limits.

NOTE

Adhere to the specifications and characteristics listed in these tables to prevent damage to the probe and to keep the probe functioning properly.

Table 4 N2792/3A Safety Specifications

Description
CEI/IEC 61010-031

Table 5 Electrical Specifications and Characteristics

Description	N2792A* without the N7013/14A Extreme Temperature Probing Kit	N2792A with the N7013/14A Extreme Temperature Probing Kit	N2793A*
Bandwidth (-3 dB) [†]	200 MHz	70 MHz	800 MHz
Attenuation Ratio	10:1	10:1	10:1
Probe Risetime (10% - 90%)	1.75 ns	1.75 ns	437 ps
Gain Accuracy (% of reading) [†]	±2%	±2%	±2%
Absolute Maximum Rated Input Voltage (each side to ground)	±60V (mains isolated)	±60V (mains isolated)	±40V (mains isolated)
Maximum Differential Input Voltage (DC + AC Peak)	±20V (mains isolated)	±20V (mains isolated)	±15V (mains isolated)
Maximum Common Mode Input Voltage	±60V (mains isolated)	±60V (mains isolated)	±30V (mains isolated)
Input Resistance Capacitance			
Each Side to Ground:	500 kΩ 7 pF	500 kΩ 7 pF	100 kΩ 2 pF
Between Inputs:	1 MΩ 3.5 pF	1 MΩ 3.5 pF	200 kΩ 1 pF
Output Voltage Swing	±2V (driving 50Ω scope input)	±2V (driving 50Ω scope input)	±1.5V (driving 50Ω scope input)
Offset (typical)	±2 mV (adjustable)	±2 mV (adjustable)	±5 mV (adjustable)
Offset Adjustment Range	-95 mV to +95 mV	-95 mV to +95 mV	-20 mV to +20 mV
AC CMRR	> -80 dB at 60 Hz > -50 dB at 10 MHz	> -80 dB at 60 Hz > -50 dB at 10 MHz	> -60 dB at 60 Hz > -15 dB at 500 MHz
Noise Referenced to Input, Probe Only	6 mV _{rms}	6 mV _{rms}	4.7 mV _{rms}
Power Requirements	One 9V battery or USB power adapter (5V to 9V, 200 mA)	One 9V battery or USB power adapter (5V to 9V, 200 mA)	One 9V battery or USB power adapter (5V to 9V, 300 mA)
Approximate Battery Life	7.5 hours (alkaline battery)	7.5 hours (alkaline battery)	4.5 hours (alkaline battery)
Battery/Power Cord	The supplied voltage must be less than 12V and greater than 4.5V or else the probe could be damaged.		

* All entries are typical unless otherwise noted.

† Warranted Specification.

Table 6 Mechanical Characteristics

Description	N2792A	N2793A
Approximate Weight (not including battery and accessories)	170g (6 oz)	170g (6 oz)
BNC Cable Length	120 cm (47 inches)	120 cm (47 inches)
Length of Extreme Temperature Extension Cables	70 cm (27.5 inches)	N/A
Length of Input Leads	15 cm (5.9 inches)	N/A
Housing Dimensions (L x W x H)	111 mm x 22 mm x 14 mm (4.4 in x 0.9 in x 0.6 in)	111 mm x 22 mm x 14 mm (4.4 in x 0.9 in x 0.6 in)

Table 7 Environmental Specifications

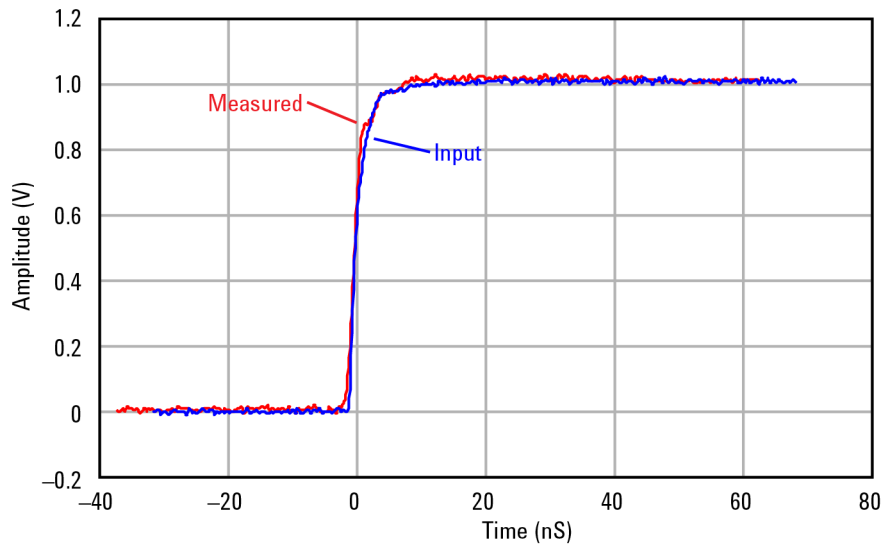
Description	Specification
Temperature	Operating: +5 °C to +40 °C (Probe without the N7013/14A extreme temperature probing kit) Operating: -40 °C to +85 °C (Probe with the N7013/14A extreme temperature probing kit) Non-operating: -30 °C to +70 °C
Altitude	Operating: 2,000 m (9,842 feet) Non-operating: 15,300 m (50,196 feet)
Humidity	Operating: 80% RH @ 31 °C decreasing linearly to 50% RH @ 40 °C Non-operating: 25 – 85% room humidity
Pollution Degree	Pollution Degree 2

Table 8 DC Blocking Capacitor Electrical Characteristics

Description	Characteristic*
Bandwidth (-3 dB)	30 kHz to 1 GHz
Impedance	50Ω
Maximum Input Range	100V
Insertion Loss (30 kHz to 1 GHz)	1.0 dB maximum
VSWR (30 kHz to 1 GHz)	1.35:1 maximum
Operating Temperature Range	-25 °C to +85 °C
Compatibility	With the N2793A and probe accessories

* All are typical.

Performance Plots (N2792A Probe)



Input Step Signal	
10 - 90% rise time:.....	3.5 ns
20 - 80% rise time:.....	2.2 ns
Measured Step Response	
10 - 90% rise time:.....	3.5 ns
20 - 80% rise time:.....	2.2 ns

Figure 16 N2792A Normalized Differential Step Response (50Ω)

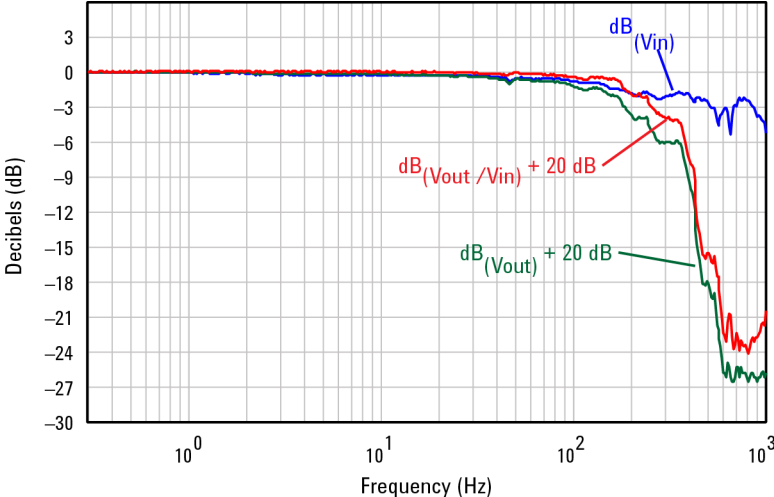


Figure 17 N2792A Frequency Response

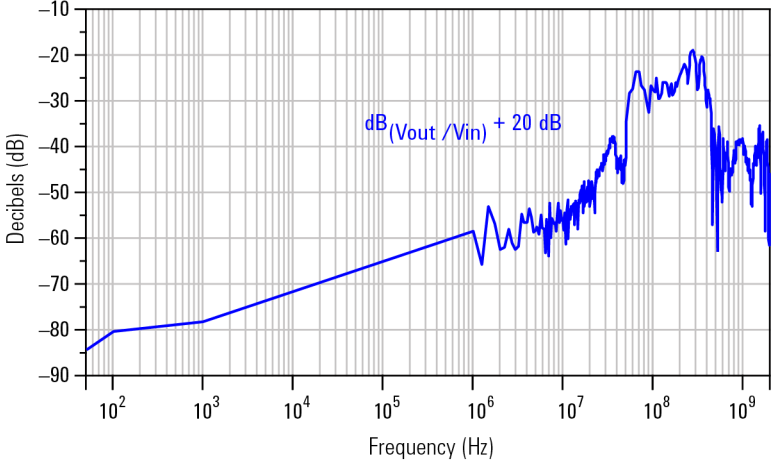


Figure 18 Frequency Response When Inputs Driven in Common Mode (CMRR)

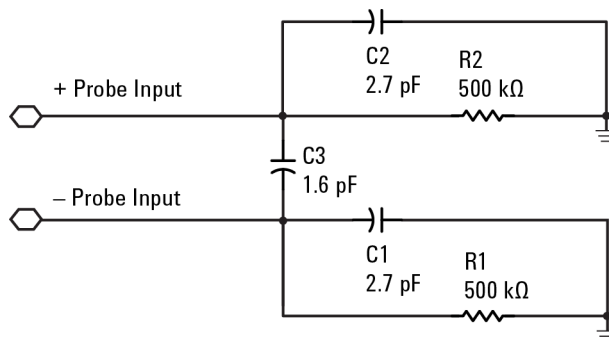


Figure 19 Input Impedance Equivalent Model With Measured Input Capacitance Values

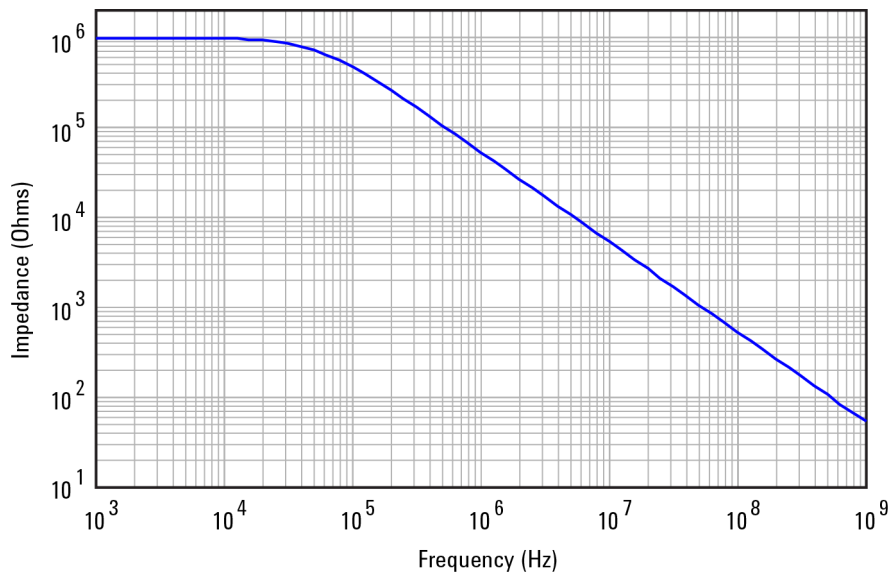


Figure 20 Typical Input Impedance Plot

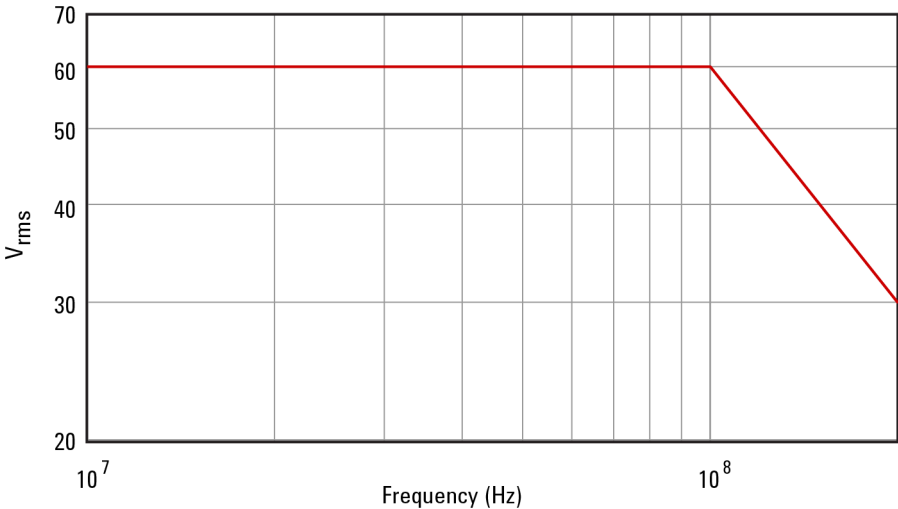
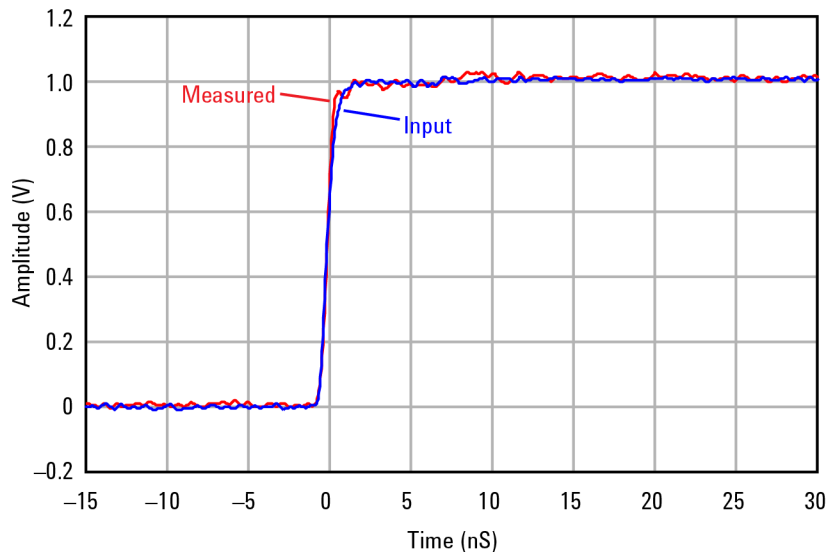


Figure 21 Typical Derating Curve of Absolute Maximum Input Voltage (Either Input to Ground)

Performance Plots (N2793A Probe)



Input Step Signal	
10 - 90% rise time:.....	.900 ps
20 - 80% rise time:.....	.800 ps
Measured Step Response	
10 - 90% rise time.....	.900 ps
20 - 80% rise time:.....	.800 ps

Figure 22 N2793A Normalized Differential Step Response (50Ω)

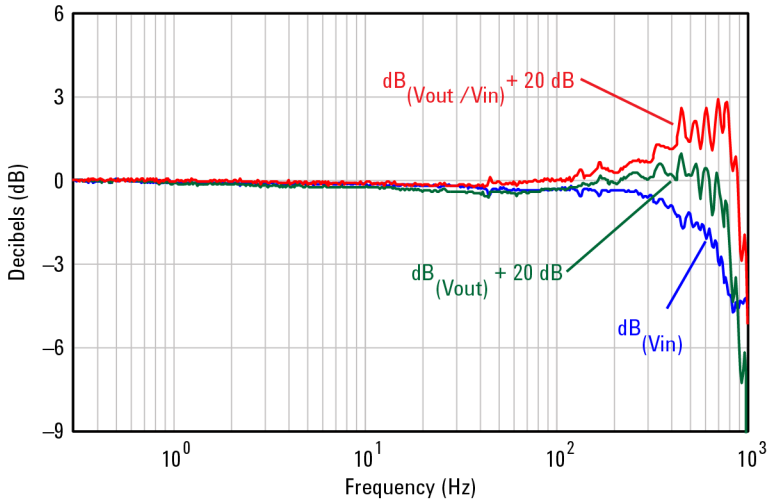


Figure 23 N2793A Frequency Response

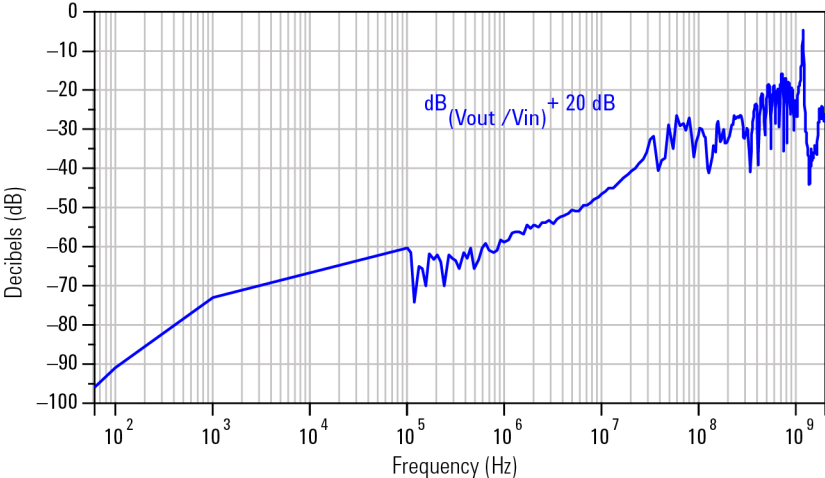


Figure 24 Frequency Response When Inputs Driven in Common Mode (CMRR)

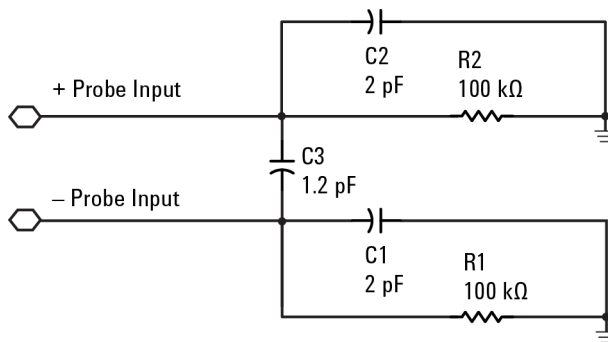


Figure 25 Input Impedance Equivalent Model With Measured Input Capacitance Values

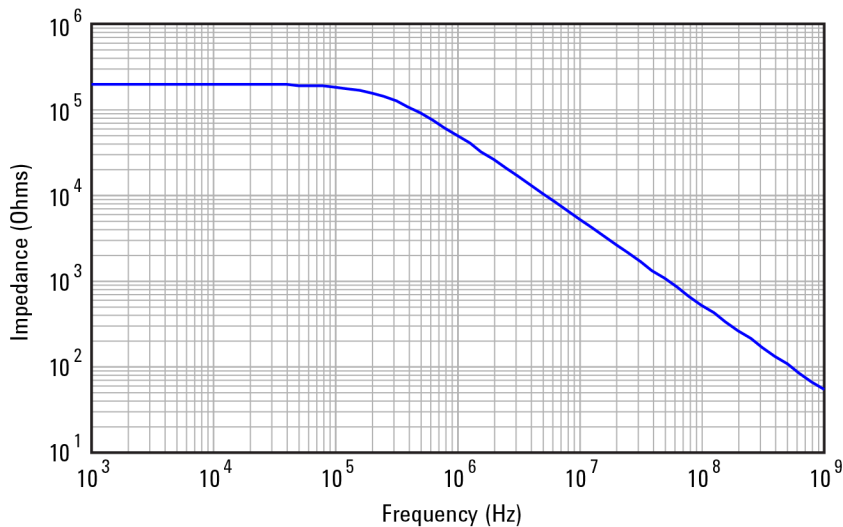


Figure 26 Typical Input Impedance Plot

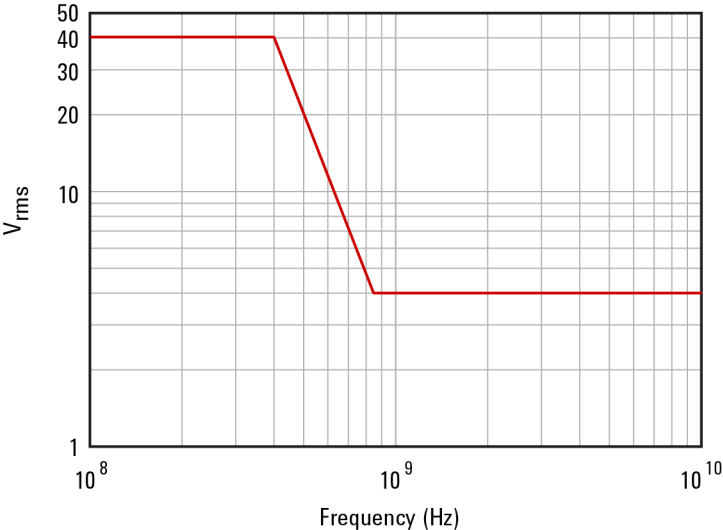


Figure 27 Typical Derating Curve of Absolute Maximum Input Voltage (Either Input to Ground)

N2792A Performance Verification Procedures

The following procedure can be used to test the N2792A differential probe's DC differential gain accuracy and bandwidth, which are warranted specifications.

Table 9 Required Test Equipment

Description	Critical Specifications	Recommended Model Part Number	Functions
Digitizing Oscilloscope	Bandwidth: >200 MHz 1MΩ/50Ω selectable input	Keysight DSOS254A	Display probe output
Signal Generator Precision DC voltage source	Amplitude accuracy: less than or equal to 0.25% 1 MΩ / 50Ω selectable load Sine wave greater than or equal to 200 MHz	Fluke 9500B Or Keysight E8257D+1EU option	Signal source for DC gain and bandwidth
BNC Adapter	BNC (f) to Dual Banana (m) Adapter	Keysight 1251-2277	Interconnection between probe and generator
50Ω BNC Feed Through Adapter	50Ω precision feed through	Keysight 0960-0301	Termination between probe and calibrator for bandwidth verification

Procedure

- Configure the oscilloscope to the following settings:
 Amplitude Scale (Channel 1):20 mV/div
 Amplitude Scale (Channel 2): 500 mV/div
 Time Scale: 200 μs/div
 Acquisition mode: 32 averages
 Input impedance: 50Ω
 Trigger: Channel 2
- On the 9500B calibrator, configure **CH2** to the following settings:
 Type: TRIGGER
 Load: 50Ω
- On the 9500B, connect the **CH2** active head to channel 2 on the oscilloscope. Connect the **CH1** active head to channel 1 on the oscilloscope
- On the N9500B, set **CH1** to the following settings and enable the output:
 Waveform: square wave
 Load: 1 MΩ
 Amplitude: 0.1V pk-pk
 Frequency: 1 kHz

- 5 On the oscilloscope, select the amplitude measurement and record the DC amplitude (approximately 100 mV) of the square wave. This measurement is only the oscilloscope.
- 6 Disable the 9500B's output and disconnect the active head from channel 1 of the oscilloscope.
- 7 Connect the N2792A probe output to channel 1 of the oscilloscope.
- 8 Attach the BNC adapter to the 9500B's **CH1** active head.
- 9 Attach the differential probe input leads by clipping the alligator clamp to the BNC adapter banana post.
- 10 On the N9500B, configure **CH1** to the following settings and enable the output:
 - Waveform: square wave
 - Load: 1 M Ω
 - Amplitude: 1V
 - Frequency: 1 kHz
- 11 Enable the output of the calibrator.
- 12 Record the DC amplitude of the square wave and divide 10 into just the amplitude of the oscilloscope. Verify that the probe gain accuracy is $\pm 2\%$ + scope gain accuracy. Record the test results as DC Differential Gain Accuracy in **Table 10** on page 34.
- 13 Disable the 9500B's output.
- 14 Connect the 50 Ω BNC feed through adapter to the N9500B's **CH1** active head.
- 15 Attach the BNC (f)-to-banana post adapter to the BNC feed through adapter.
- 16 Attach the differential probe input leads by clipping the alligator clamp to the BNC adapter banana post.
- 17 Enable the 9500B's output.
- 18 Configure the oscilloscope to the following settings:
 - Amplitude Scale (Channel 1):50 mV/div
 - Time Scale:2 ns/div
 - Acquisition mode: Peak Detect
- 19 Center the trace on the oscilloscope.
- 20 On the N9500B, configure **CH1** to the following settings:
 - Waveform: sine wave
 - Load: 50 Ω
 - Amplitude:3V pk-pk
 - Frequency: 200 MHz

- 21 Measure the peak-to-peak amplitude on the oscilloscope. It should be greater than or equal to 210 mV – scope vertical accuracy. Record the test results as Bandwidth in **Table 10**.
- 22 Disable the N9500B's output and disconnect the probe input.

N2792A Performance Verification Test Record

The recommended test interval is 1 year.

Table 10 N2792A Performance Test Record

Certification Details			
Serial Number:		Tested By:	
Certification Date:		Recommended Date of Next Certification:	
Certification Temperature:			
Test	Probe Setting	Test Limits	Test Results
DC Differential Gain	10:1	98 mV to 102 mV	
Bandwidth	10:1	≥ (210 mV – scope vertical accuracy)	

N2793A Performance Verification Procedures

The following procedure can be used to test the N2793A high-voltage differential probe's DC differential gain accuracy and bandwidth, which are warranted specifications.

Table 11 Required Test Equipment

Description	Critical Specifications	Recommended Model Part Number	Functions
Digitizing Oscilloscope	Bandwidth: >1 GHz 1 M Ω /50 Ω selectable input	Keysight DSOS254A	Display probe output
Signal Generator Precision DC voltage source	Amplitude accuracy: less than or equal to 0.25% 1 M Ω /50 Ω selectable load Sine wave greater than or equal to 800 MHz	Fluke 9500B Or Keysight E8257D+1EU option	Signal source for DC gain and bandwidth
Performance Check Fixture	50 Ω impedance controlled micro-strip trace	Keysight E2655C	Probing trace for bandwidth test
Terminator	50 Ω matched load		Termination for the PV fixture
BNC Adapter	BNC (f) to SMA (m)		Interconnection between calibrator and PV fixture
BNC Adapter	BNC (f) to Dual Banana (m) Adapter	Keysight 1251-2277	Termination between probe and calibrator

Procedure

- Configure the oscilloscope to the following settings:
 Amplitude Scale (Channel 1): 20 mV/div
 Amplitude Scale (Channel 2): 500 mV/div
 Time Scale: 200 μ s/div
 Acquisition mode: 32 averages
 Input impedance: 50 Ω .
 Trigger: Channel 2
- On the 9500B calibrator, configure **CH2** to the following settings:
 Type: TRIGGER
 Load: 50 Ω
- On the 9500B, connect the **CH2** active head to channel 2 on the oscilloscope. Connect the **CH1** active head to channel 1 on the oscilloscope.

- 4 On the N9500B, set **CH1** to the following settings and enable the output:
 Waveform: square wave
 Load: 1 M Ω
 Amplitude: 0.1V pk-pk
 Frequency: 1 kHz
- 5 On the oscilloscope, select the amplitude measurement and record the DC amplitude (approximately 100 mV) of the square wave. This measurement is only the oscilloscope.
- 6 Disable the 9500B's output and disconnect the active head from channel 1 of the oscilloscope.
- 7 Connect the N2793A probe output to channel 1 of the oscilloscope.
- 8 Attach the BNC adapter to the 9500B's **CH1** active head.
- 9 Attach the differential probe input leads by clipping the alligator clamp to the BNC adapter banana post.
- 10 On the N9500B, configure **CH1** to the following settings and enable the output:
 Waveform: square wave
 Load: 1 M Ω
 Amplitude: 1V
 Frequency: 1 kHz
- 11 Enable the output of the calibrator.
- 12 Record the DC amplitude of the square wave and divide 10 into just the amplitude of the oscilloscope. Verify that the probe gain accuracy is $\pm 2\%$ + scope gain accuracy. Record the test results as DC Differential Gain Accuracy in **Table 12** on page 38.
- 13 Disable the 9500B's output.
- 14 Connect the E2655C PV fixture to the N9500B's **CH1** active head.
- 15 Configure the oscilloscope to the following settings:
 Amplitude Scale (Channel 2): 500 mV/div
- 16 On the 9500B calibrator, configure **CH2** to the following settings:
 Type: TRIGGER
 Load: 50 Ω
- 17 On the 9500B, connect the **CH2** active head to channel 2 on the oscilloscope.
- 18 Terminate PV fixture's 50 Ω trace with the matched 50 Ω terminator.
- 19 Insert the probe's dual signal pins into the probe tip.
- 20 Use a probe positioner to gently place the probe pin tips onto the PV fixture's center conductor and ground plane as identified in **Figure 28** on page 37.

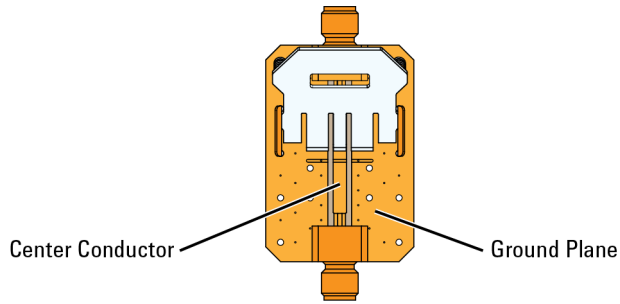


Figure 28 Probing Locations on PV Fixture

- 21 Enable the 9500B's output.
- 22 Configure the oscilloscope to the following settings:
 - Amplitude Scale (Channel 1):..... .50 mV/div
 - Time Scale:2 ns/div
 - Acquisition mode: Peak Detect
- 23 Center the trace on the oscilloscope.
- 24 On the N9500B, configure **CH1** to the following settings:
 - Waveform: sine wave
 - Load:..... 50Ω
 - Amplitude:3V pk-pk
 - Frequency:..... 800 MHz
- 25 Measure the peak-to-peak amplitude on the oscilloscope. It should be greater than or equal to 210 mV – scope vertical accuracy. Record the test results as Bandwidth in **Table 12** on page 38.
- 26 Disable the N9500B's output and disconnect the probe input.

N2793A Performance Verification Test Record

The recommended test interval is 1 year.

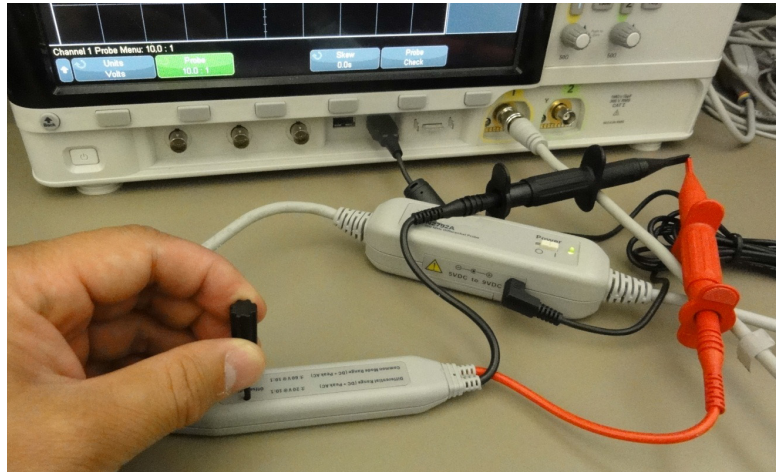
Table 12 N2793A Performance Test Record

Certification Details				
Serial Number:		Tested By:		
Certification Date:		Recommended Date of Next Certification:		
Certification Temperature:				
Test	Probe Setting	Test Limits	Test Results	
DC Differential Gain	10:1	98 mV to 102 mV		
Bandwidth	10:1	≥ (210 mV – scope vertical accuracy)		

Offset Zero Calibration Procedure

The N2792A/N2793A differential probe can be adjusted for zeroing out the probe's offset voltage using the trimmer tool supplied with the probe. Follow this procedure to perform the offset zero calibration.

- 1 After turning on power to the oscilloscope and probe, leave them on for >30 minutes to stabilize. You may use the USB power cord or batteries to power the probe.
- 2 Connect the probe to channel 1 of the oscilloscope.
- 3 Short the + and - probe inputs together with the hook tips.
- 4 Press **[Default Setup]** and **[Auto Scale]** on the oscilloscope.
- 5 Press the channel 1 key, then the Probe softkey, and then set the units to Volt and the probe attenuation to 10:1
- 6 Set the oscilloscope to DC coupled mode.
- 7 Position the ground of the waveform to the center of the screen and set the vertical scale to 10 mV/div or 20 mV/div.
- 8 Set the oscilloscope to Averaging mode (x8 or higher) or High resolution mode to reduce scope noise.
- 9 Using the trimmer tool that comes with the probe, adjust the probe offset voltage to 0 V.



Index

- A**
 - accessories
 - N2792A, [7](#)
 - alligator clips, [12](#)
 - attenuation ratio, [5](#)
- B**
 - battery compartment, [11](#)
- C**
 - characteristics, [21](#)
 - cleaning, [6](#)
 - compatible oscilloscopes, [5](#)
- D**
 - DC blocking capacitor, [18](#)
 - differential measurements, [12](#)
 - dual signal pins, [17](#)
- E**
 - Environmental Specifications, [23](#)
 - extension leads, [17](#)
- H**
 - handling, [6](#)
 - hook clips, [12](#)
- I**
 - input impedance equivalent model
 - N2792A, [26](#)
 - N2793A, [30](#)
 - inspecting probe, [6](#)
 - internal battery, [5](#)
- M**
 - Mechanical Characteristics, [23](#)
 - micro IC clips, [18](#)
- N**
 - N2792A
 - accessories, [7](#)
 - performance plots, [24](#)
 - performance verification, [32](#)
 - N2793A
 - performance plots, [28](#)
 - performance verification, [35](#)
- O**
 - Optional Accessories, [8](#)
 - oscilloscopes
 - compatible, [5](#)
- P**
 - performance plots
 - N2792A, [24](#)
 - N2793A, [28](#)
 - performance verification
 - N2792A, [32](#)
 - N2793A, [35](#)
 - pincer clips, [18](#)
 - probe
 - battery compartment, [11](#)
 - cleaning, [6](#)
 - USB power input, [11](#)
 - probe cleaning, [6](#)
 - probe handling, [6](#)
 - probe inspection, [6](#)
- R**
 - replacement kit, [7](#)
- S**
 - safety information, [19](#)
 - safety specifications, [21](#)
 - single signal pins, [17](#)
- U**
 - USB power cord, [11](#)
 - USB power input, [11](#)
- V**
 - variable pitch pins, [17](#)

